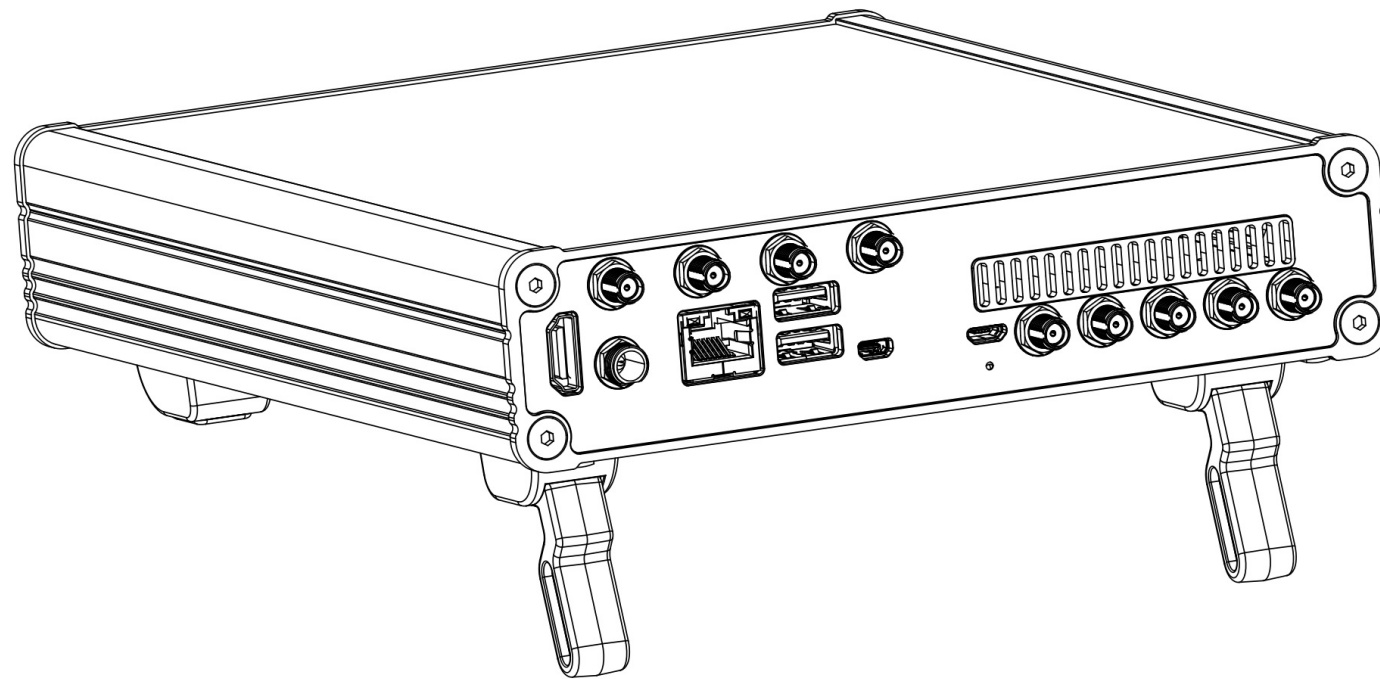
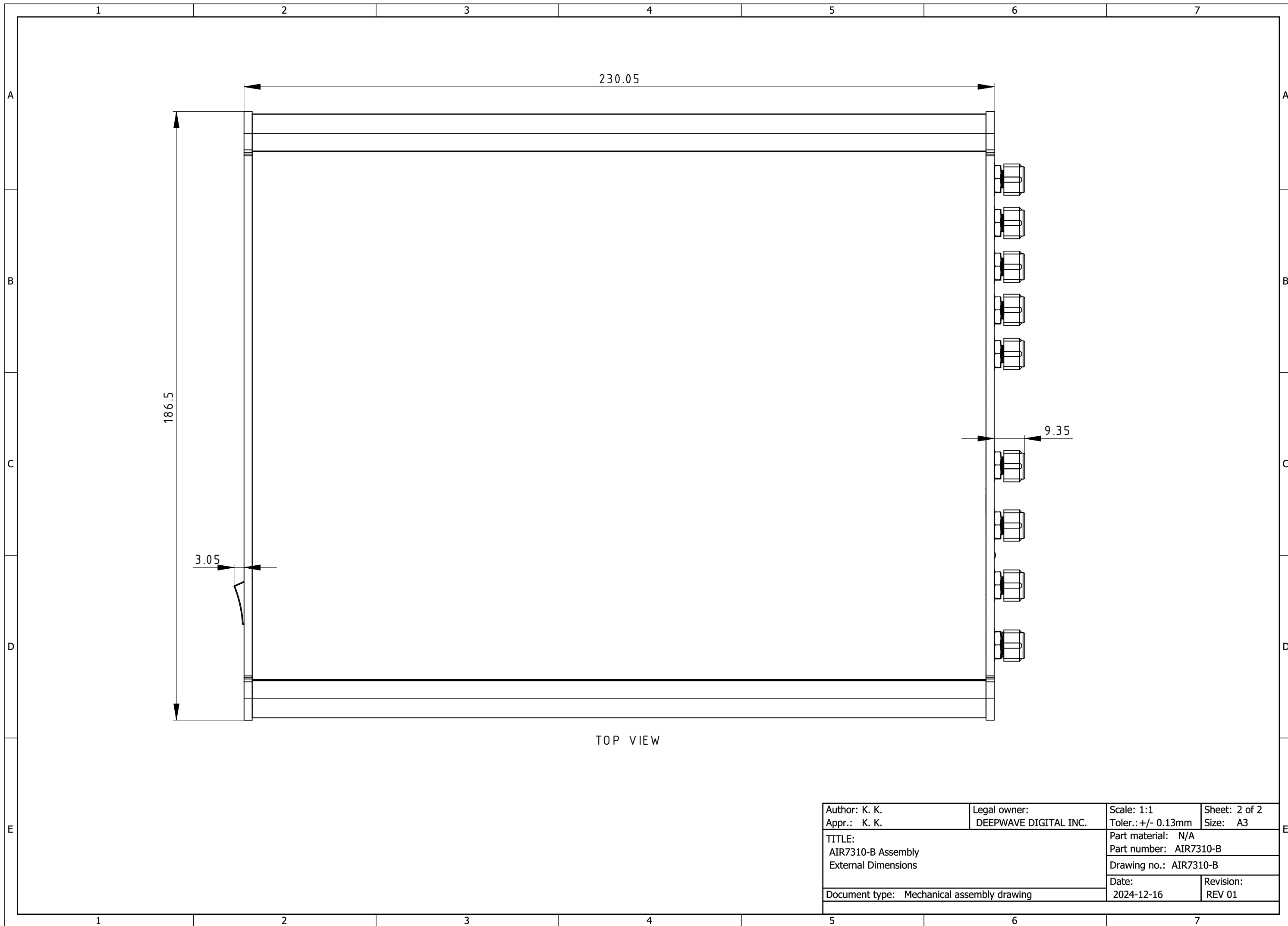


FRONT VIEW



VIEW NOT TO SCALE

Author: K. K. Appr.: K. K.	Legal owner: DEEPWAVE DIGITAL INC.	Scale: 1:1 Toler.: +/- 0.13mm	Sheet: 1 of 2 Size: A3
TITLE: AIR7310-B Top Assembly External Dimensions		Part material: N/A Part number: AIR7310-B Drawing no.: AIR7310-B	
Document type: Mechanical assembly drawing		Date: 2024-12-16	Revision: REV 01



TOP VIEW

Author: K. K. Appr.: K. K.	Legal owner: DEEPWAVE DIGITAL INC.	Scale: 1:1 Toler.: +/- 0.13mm	Sheet: 2 of 2 Size: A3
TITLE: AIR7310-B Assembly External Dimensions		Part material: N/A Part number: AIR7310-B	
Document type: Mechanical assembly drawing		Date: 2024-12-16	Revision: REV 01